

mr.steam® aromasteam

Operation and Installation Instructions

MS AromaFlo® A

Table of Contents

Box Contents 2

Assembly and Installation

 General Installation 3

 Installation of Hoses 4

 Assembly Diagram 5

 Electrical Wiring 6

Start-up

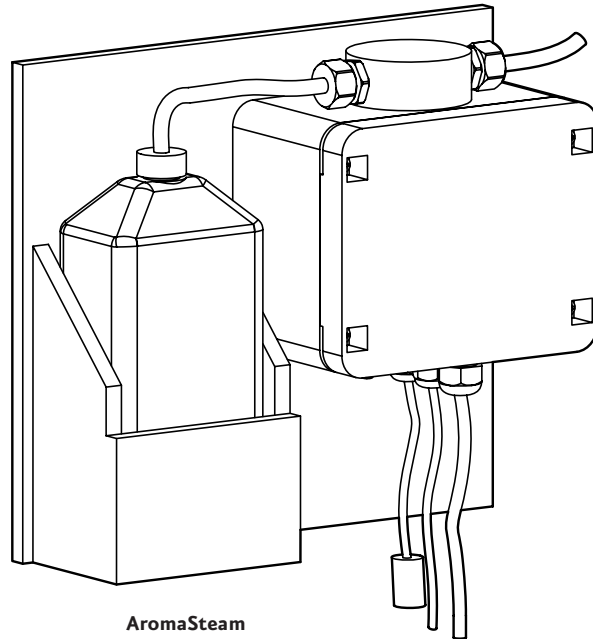
 Initial Priming of AromaSteam System . . . 7

 Filling the Pressure Hose 7

Adjusting amount of oil delivery . . . 7

Troubleshooting 8

Technical Information 8



AromaSteam
(for illustrative purposes only)

! WARNING Do not use with water soluble fragrance or fragrance containing emulsifiers or aldehydes. AromaSteam system damage may result. Mr.Steam oils are approved for operation with this system.

! WARNING The use of any oils other than Mr.Steam oils may introduce excessive concentration of oil into the steam room, resulting in a health hazard.

! WARNING Vapors may cause drowsiness and dizziness. Keep out of the reach of children. In case of contact with eyes, rinse immediately with plenty of water and seek medical advice. If swallowed, rinse mouth with water (only if the person is conscious), seek medical advice immediately and show this container or label.

! WARNING Highly Flammable. Keep away from sources of ignition— No smoking. Keep container tightly closed & in a well-ventilated place. This material & its container must be disposed of as hazardous waste.

! WARNING Not for use in acrylic or fiberglass rooms.

Material Safety Data Sheet (MSDS) available upon request

NOTE: It is strongly recommended that this warning sign (supplied) be posted in a conspicuous location near the steam room.

! WARNING

This room is equipped with an aromatic oil dispensing system.

Leave the room immediately if you have any adverse or allergic reactions, including difficulty breathing or eye, nasal, throat, or skin irritation and seek medical attention.

mr.steam® 43-20 34th Street , Long Island City NY 11101
1 800 76 STEAM www.mrsteam.com

PUR 100405

IMPORTANT NOTE:

As you follow these instructions, you will notice warning and caution symbols. This blocked information is important for the safe and efficient installation and operation of this AromaSteam. These are two types of potential hazards that may occur during this installation and operation:

! WARNING
states a hazard which may cause serious injury or death if precautions are not followed.

! CAUTION
signals a situation where minor injury or product damage may occur if you do not follow instructions.

IMPORTANT NOTE:
This highlights information that is especially relevant to a problem-free installation.

mr.steam®
Sussman-Automatic Corp®
info@mrsteam.com
www.mrsteam.com

43-20 34th Street
Long Island City, NY 11101
Tel: 1-800-76 STEAM
Fax: 718-472-3256

9410 S. La Cienega Blvd.
Inglewood CA 90301
1-800 -72 STEAM
Fax: 310-216-2944

PUR 100402 - 6/08



General Installation

! CAUTION The AromaSteam system is qualified for use with Mr.Steam residential steam generators ONLY. For use with residential steam rooms only. Not for commercial use.

1. Locate the AromaSteam system to monitor the consumption of essential oils and for easy oil replacement.
2. Mr.Steam strongly suggests that the warning sticker provided be placed in a conspicuous location near the steam room.
3. Mr.Steam AromaSteam System is designed and intended for indoor use only and is to be located indoors in a dry clean location and not subject to moisture, condensation or similar high humidity environments.
4. Do not install AromaSteam Systems outdoors.
5. Do not install AromaSteam Systems in a location where water could freeze.
6. Do not install AromaSteam Systems near flammable or corrosive materials and chemicals. Installation in areas having high concentrations of chlorine (such as pool equipment room) should be avoided.
7. Attach the AromaSteam System onto a secure vertical surface.
8. Provide access to AromaSteam System for servicing, and refills.
9. The system should not be installed in areas accessible to children. A LOCKED ROOM IS STRONGLY RECOMMENDED (ie: utility room)
10. Height difference between AromaSteam System discharge and 90 degree T is to be held to a maximum 6 ft. (see page 5).



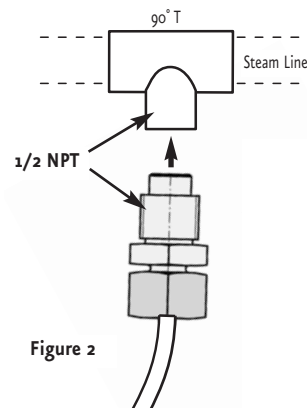
Clearance to heat sources

- Do not install the AromaSteam system directly below or above the Mr. Steam steam generator where it is subject to heat.
- Minimum distance between the AromaSteam system and a heat source (e.g. steam generator, heating system) is 1.5 ft. If this minimum distance of 1.5 ft cannot be maintained, install a radiation plate or heat insulation between the heat source and AromaSteam system.
- Ambient temperature at and around the AromaSteam system should not exceed 90° F.

Installing the 90 degree T and Atomizing Nozzle

1. For optimal results locate a brass 90 degree T (not provided) and atomizing nozzle in the steam supply line between 16" and 36" from the steam head (see page 5). If using copper tubing for steam lines, install a female 1/2 NPT thread to sweat fitting in the downward facing T.
2. T must face downward as shown (in figure 2).
3. Screw the atomizing nozzle into 90° T fitting using teflon tape on the threads.

Note: The further the 90° T is from the steam head (more than 36") the more the fragrance degrades and be less effective. Conversely, the closer the 90° T is to the steam-head (less than 16") the less the fragrance will "blend" with the steam and the aroma effect will be lessen.



IMPORTANT NOTE: Follow the installation instructions for the steam pipeline in the Mr.Steam Residential Steam Bath Installation and Operating Manual (PUR 101289). Visit www.mrsteam.com to download this document.

Installation of Pressure Hose to AromaSteam System.

1. Unscrew the pressure end nut from the pump head and remove the shipping hose and the pressure end nut.
2. Insert the pressure hose through the hole of the pressure end nut and firmly push the pressure hose onto the pressure valve.
3. Screw the pressure end nut onto the pressure valve and tighten the nut by HAND only.

Installation of Suction Hose in Scent Container

1. Locate the “container cap” in the AromaSteam box.
2. Unscrew the cap from the Mr.Steam scent container and discard.
3. Insert the suction hose with the open end from below through the hole in the container cap (see Fig. 3).
4. Insert the filter into the scent container so that the filter rests on the bottom.
5. Screw the cap onto the scent container.

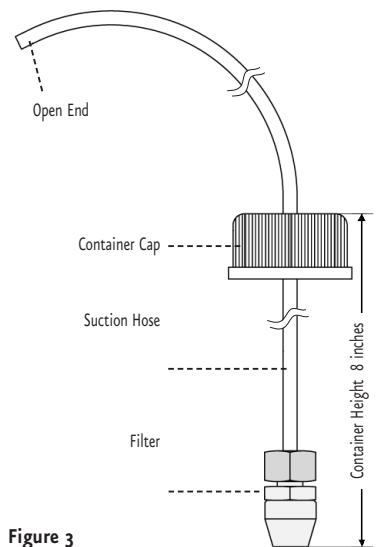
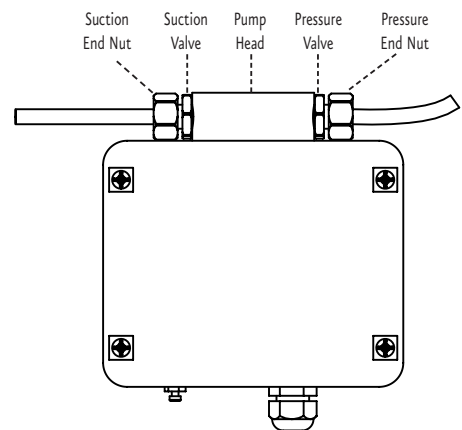


Figure 3

Installation of Suction Hose to AromaSteam System

1. Unscrew the suction end nut from the pump head and remove shipping hose (see Fig. 3) (discard shipping hose, keep pressure end nut).
2. Remove suction end nut from the shipping hose.
3. Insert the open end of the suction hose through the hole of the suction end nut.
4. Firmly push the hose onto the cone of the suction valve at the pump head.
5. Screw the suction end nut to the suction valve.

IMPORTANT NOTE: HAND-TIGHTEN ONLY.

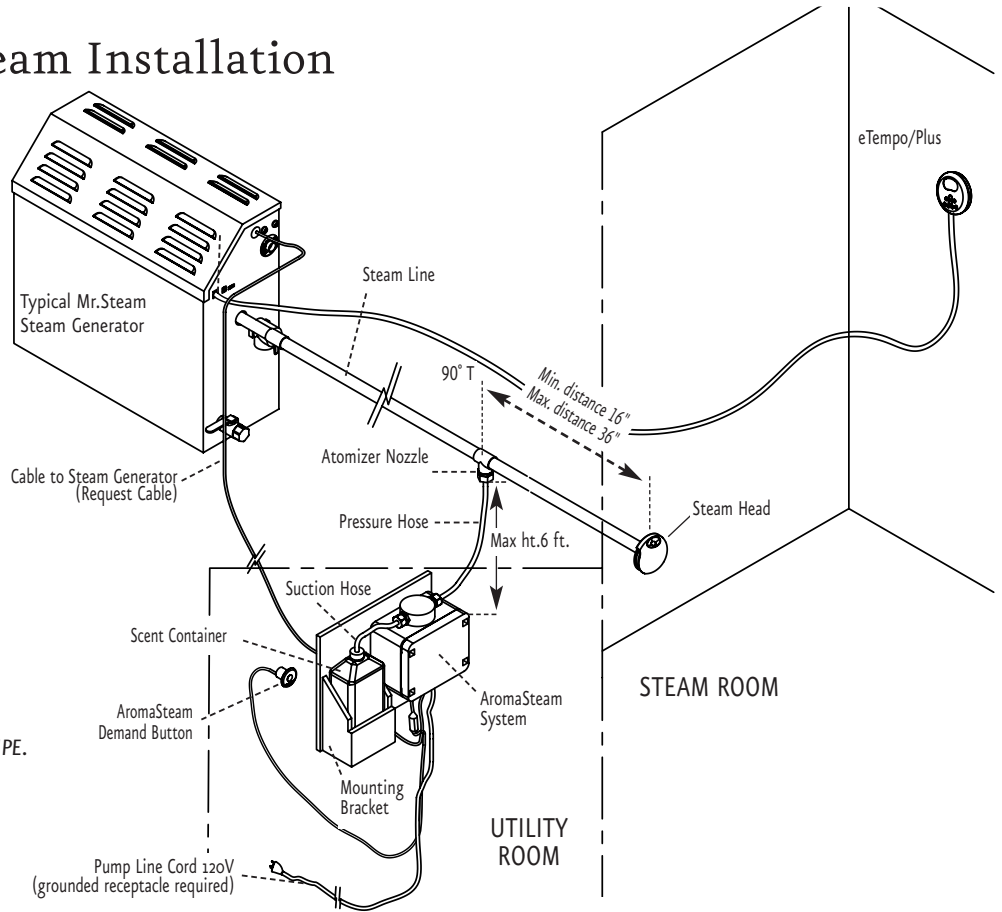


Typical AromaSteam Installation

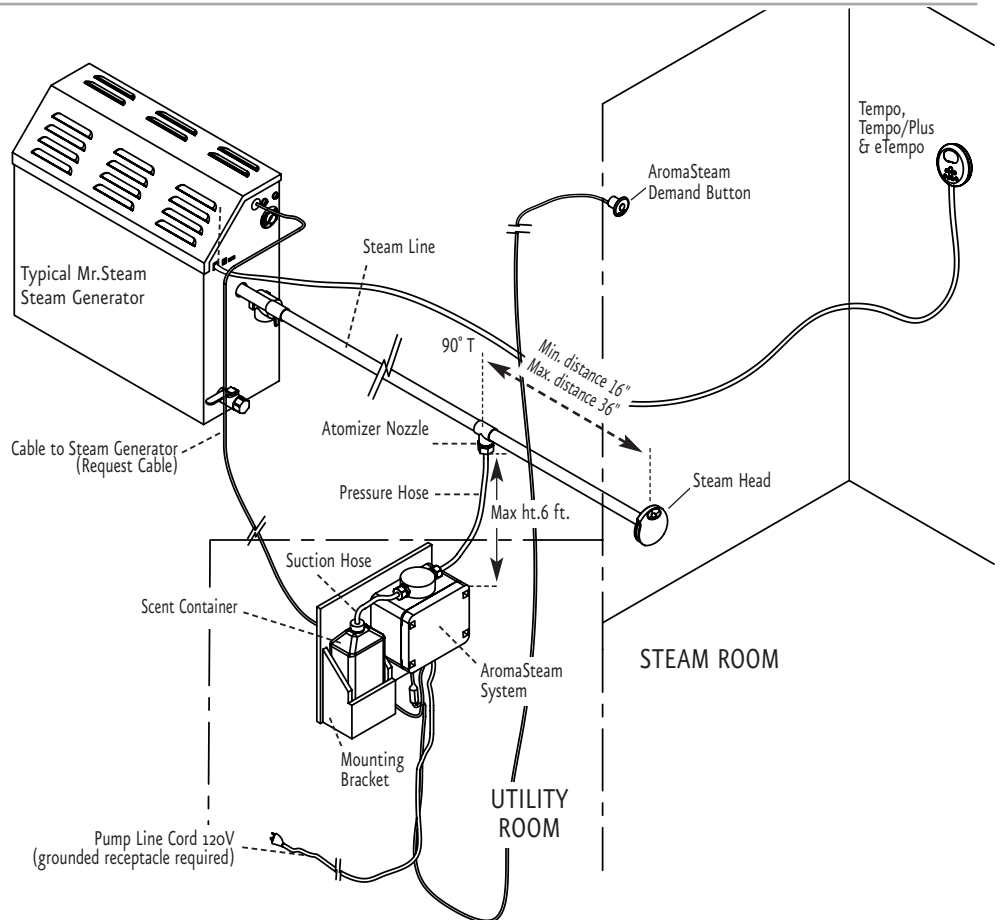
For use with
eTempo/Plus[®] Controls

Locate the AromaSteam system to monitor the consumption of essential oils and for easy oil replacement.

NOTE:
CABLES SHOULD NOT CONTACT STEAM PIPE.
FOR ILLUSTRATIVE PURPOSES ONLY



For use with Tempo[®],
Tempo/Plus[®] and
eTempo[®] Controlss



Electrical Connection of AromaSteam™ System

CAUTION This AromaSteam system is factory wired. If the power cord of the AromaSteam system is damaged it must be replaced by the Sussman-Automatic service department or similarly qualified personnel in order to avoid risks. All electrical connections to be made by a licensed, qualified electrician. Disconnect all power to the steam generator before making power connections.

1. Disconnect all power to the Mr Steam steambath generator and remove the top cover.
2. Run the request cable from the AromaSteam System through one of the knockouts in the side of the steambath generator. Use a strain relief bushing or grommet to prevent chafing.
3. Locate the contactor inside the steambath generator and identify the red and red/white wires. (**NOTE:** Tempo generations use blue & white wires).
4. Remove those two wires from the contactor and attach the request cable to those two terminals.
5. Reconnect the red and red/white wires by attaching them to the piggyback terminals on the request cable.

NOTE: When using generators hooked up in tandem the AromaSteam steam system should be connected to the contactor on the primary generator. The atomizing nozzle should be connected to the main generator's steam line.

Demand Button

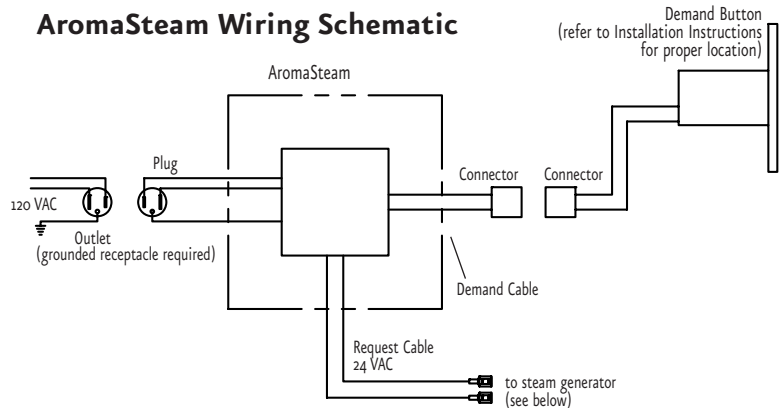
ETEMPO/PLUS INSTALLATIONS:

1. Locate the demand button on or near the pump bracket. The demand button will be used to turn on the AromaSteam pump only during installation (and if power is cut to the pump) as the AromaSteam pump is controlled by the eTempo/Plus

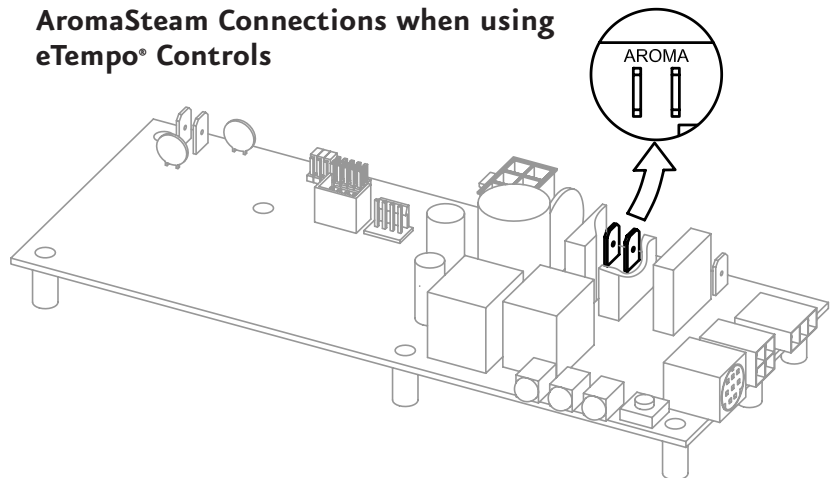
TEMPO, TEMPO/PLUS AND ETEMPO INSTALLATIONS:

1. Locate the demand button in a location accessible to the steambather. Mr.Steam suggests adjacent to the Tempo Controls.
2. A 7/8 inch hole is required for the demand button.
3. Fill the hole with silicone as required for a moisture seal, care should be taken not to get silicone on the adhesive on the back of the button.

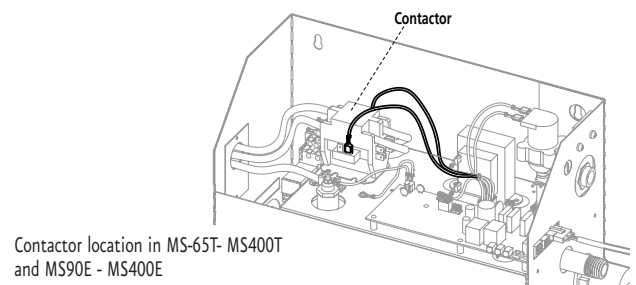
AromaSteam Wiring Schematic



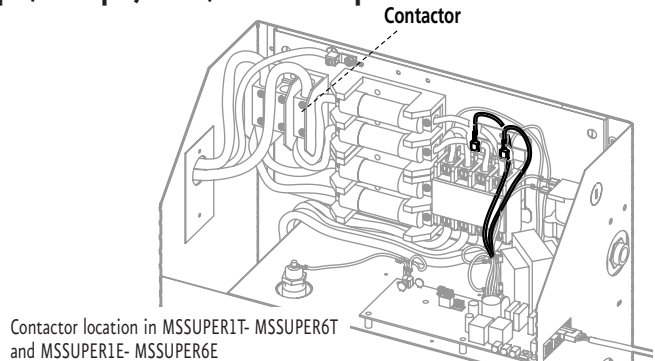
AromaSteam Connections when using eTempo® Controls



For Tempo, Tempo/Plus, and eTempo



For Tempo, Tempo/Plus, and eTempo



Start-up

Initial Priming of the Pump

1. Insure MrSteam scent container is full.
2. Insert the short injector hose onto the tip of the injector (see Fig. 5).
3. Unscrew the pressure end nut from the pump head and remove the pressure hose from the pressure valve (see Fig.3).
4. Insert the open end of the injection hose onto the pressure valve (see Fig. 5).
5. Draw liquid from the injector slowly and evenly. Continue until the injector is full of liquid.
6. If you have drawn up the injector completely and no liquid is in the injector, remove the injector hose from the pressure valve.
7. Drain injector. Repeat steps until the injector is filled.
8. Save the oil injector as it will be needed when new oils are used.

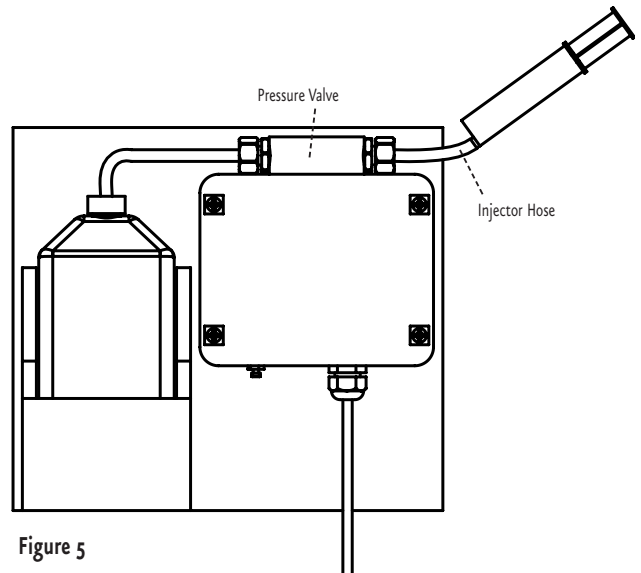


Figure 5

Filling the Pressure Hose

1. Insure the AromaSteam System is primed and the scent container is full.
2. Locate the Push-button at the rear of the metering pump (see Fig. 6). Depress this push-button to start metering pump.
3. Continue to depress push-button until the pressure hose is filled with liquid.

IMPORTANT NOTE: Push button to be used only for initial filling of the pressure hose, and after new oil bottles are installed.

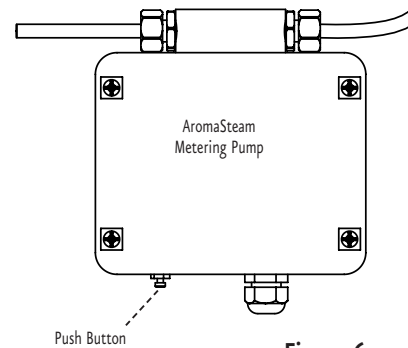


Figure 6

Operation

ETEMPO/PLUS

1. Press the AROMA button on the eTempo/Plus control (Aroma will appear in the display).
2. When the generator is steaming the pump will inject oil into the steam line at preset time intervals.
3. If the generator is not steaming, no oil will be pumped.



Aroma button

TEMPO, TEMPO/PLUS AND ETEMPO

1. With the generator on press the demand button once (the demand button will light up).
2. When the generator is steaming the pump will inject oil into the steam line at preset time intervals.
3. If the generator is not steaming, no oil will be pumped.

Note: After the generator has been turned off the light on the demand button will remain ON, the pump will be in stand-by mode waiting for the generator to be turned on again.

Adjusting the Amount of Oil Delivery

! WARNING The AromaSteam system has been factory set to deliver a suitable amount of aromatic oil into a typical sized steam room. PLEASE CONTACT THE MRSTEAM TECHNICAL SERVICE DEPARTMENT BEFORE CHANGING THIS SETTING. Increasing the settings may introduce excessive concentration of oil into the steam room, resulting in a health hazard.

Contact the MrSteam Technical Service Department at (800) 76-STEAM (East coast) or (800) 72-STEAM (West coast) for assistance or additional information.

! WARNING Only a qualified licensed electrician or factory authorized personnel may adjust the factory setting.

Troubleshooting

! WARNING TO AVOID ELECTRIC SHOCK, DISCONNECT POWER TO PUMP BEFORE SERVICING

METERING PUMP DOES NOT PRIME

1. Check if voltage is available.
2. Check liquid level in scent container. Replenish liquid, if necessary.
3. Check for air bubbles in the suction hose or the pump head. To eliminate air bubbles see: Priming Pump.
4. Check valves for contamination. Clean valves, if necessary.
5. Check filter in container for contamination. Rinse filter under clean water.

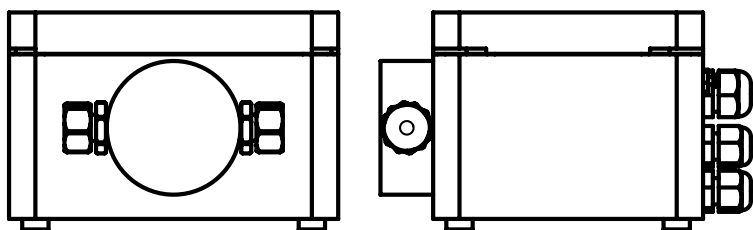
Metering pump does not inject oil into steam room

1. Check if voltage is available.
2. Check liquid level in scent container. Replenish liquid, if necessary.
3. Check for air bubbles in the suction hose or the pump head. To eliminate air bubbles see: Priming Pump.
4. Check valves for contamination. Clean valves, if necessary.
5. Check filter in container for contamination. Rinse filter under clean water.
6. Check the pressure hose for kinking or jamming. Straighten or replace.
7. Check if liquid is freely flowing through the atomizing nozzle when the metering pump is energized. Apply compressed air through the atomizing nozzle. Attach the compressed air at the point of connection of the pressure hose.
8. For eTempo/Plus: ensure the demand button light is on. the demand button light should be pressed during installation, the light will turn on. In the event of a power outage the button will need to be pressed again.

Metering pump oil delivery too much or too little

Contact Mr.Steam technical service personnel at 1-800-76 STEAM (East Coast) or 1-800-72-STEAM (West Coast).

Technical Specifications



Dimensions: 7" L x 6.5" W x 4.5" H

Weight: 5 pounds

EN 60335
UL Listed
CSA Approved

Motor voltage 120 VAC, 50/60 Hz

Power consumption, total [W] 12 Watt

List of Spare Parts

Description	Part No.
Pump Head	103861
Pressure/Suction Hose (ordered by the foot)	E01-1032
Eucalyptus oil, 1 liter	MS OIL 1
Lavender oil, 1 liter	MS OIL 2
Evergreen oil, 1 liter	MS OIL 3
Energizing Mint oil, 1 liter	MS OIL 4
Poho oil, 1 liter	MS OIL 5
Atomizing Nozzle	103918
Oil Injector	103983
Filter	103987